

AIR FLOW ANEMOMETER

General features and functions:

This digital anemometer is used to measure the wind speed, volume and temperature.

The product construct into display control box and fan, easily handle for air conditioning, heating and air velocity monitoring. It can measure real time, mean value, 2/3 maximum wind volume, wind speed and temperature. Moreover, it also has standard USB plug and computer software for user real time measure and data logging.

1. Wind speed/ Wind volume mode selection;
2. Real time/ Mean value/ wind volumes measuring.
3. Wind temperature °C/°F inter- change.
4. Maximum/ minimum/ mean wind speed measuring.
5. Maximum storage memory
6. Standard USB plug and software.

Air velocity measuring range : 0.3~45m/s

Accuracy : ±3%0.1dpts

Wind volume measuring range : 0~999900m³/s

Accuracy : 3%0.1dpts

Wind temperature measuring range : 0°C~45°C

Accuracy : 1°C

Power supply : 9V Alkaline battery

Application

Environment monitoring, Navigation, Petrochemical, Coal mine, Lab, to measure wind speed or volume.

Technical Specifications:

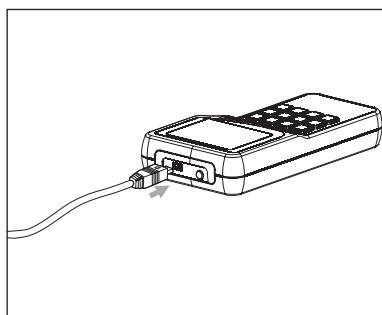
Wind volume unit selection	CFM (FC³/min) , CMM(m³/min)
Air velocity unit selection	M/s, Ft/min, Knots, Km/hr, Mph
Backlight display	✓
Resolution	0.1m/s 0.2°C
Low battery indication	✓
Power off current	≤2μA
Operating current	≤18mA
Host operating conditions	Temperature: 0~50°C; humidity: ≤80% RH
Fan operating conditions	Temperature: 0~60°C; humidity: ≤80% RH
Storage conditions	Temperature: -40~60°C; humidity: ≤80% RH

Packing Information

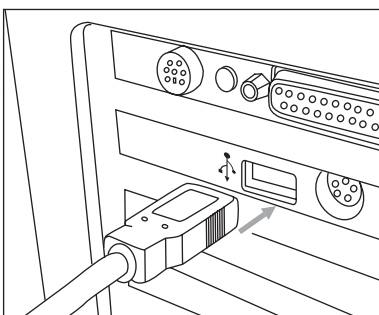
Product Net Weight	240 g
Product Size	170*160*49mm
Packing	Gift box
Standard Quantity Per Carton	20
Standard Carton Size	62.5*45.0*28.5cm
Standard Carton Gross Weight	16.1kg

Connecting the unit with computer host:

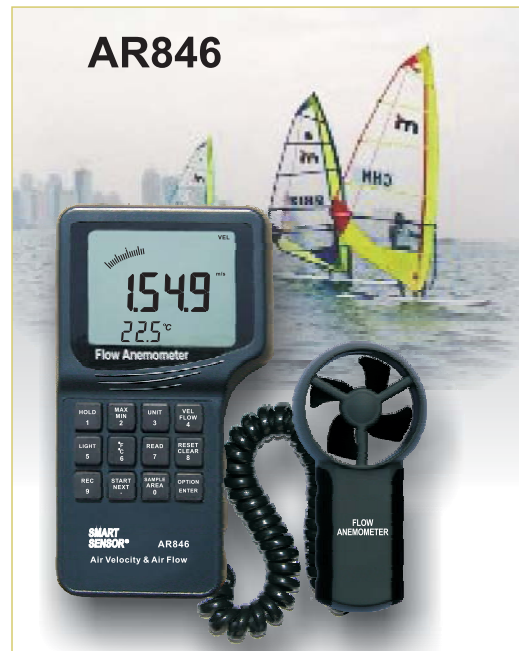
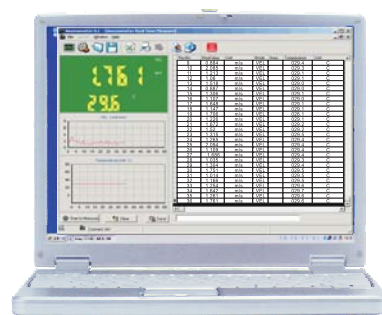
- Insert the smaller end of USB wire into the USB interface on air flow anemometer side, As follows diagram:



- Insert other end of USB wire into the interface port on back computer, As follows diagram:



- Once connected, can take online measurement, also can make computer data analysis for measured results. As follows:



USB1.1

Accessory:

